

DIST. : MAIN ASSY- CABLE QUAL. CTL. ENG. PURCH. PRESS TOOLROOM

ON DRAWING

2

3

4

5

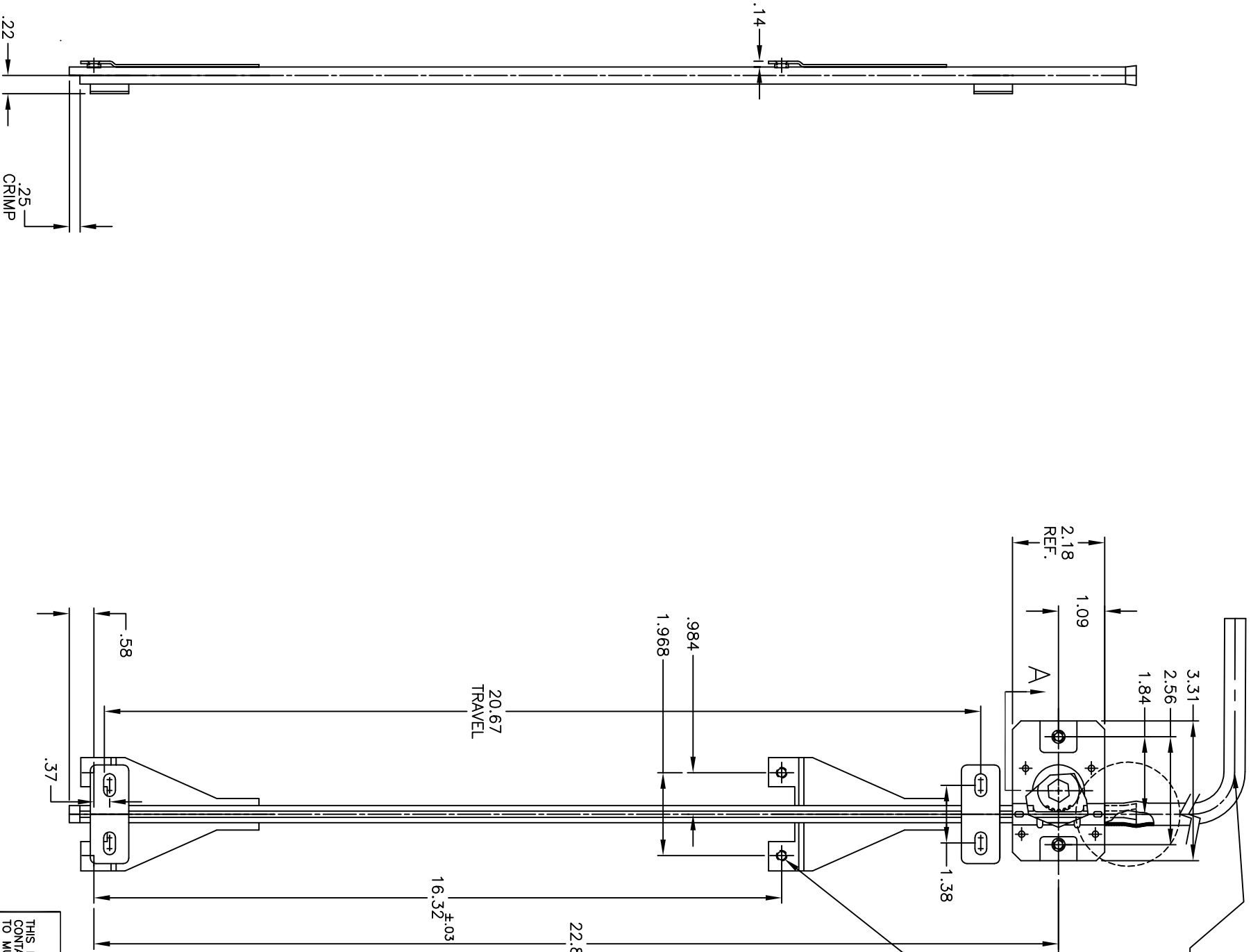
6

7

8

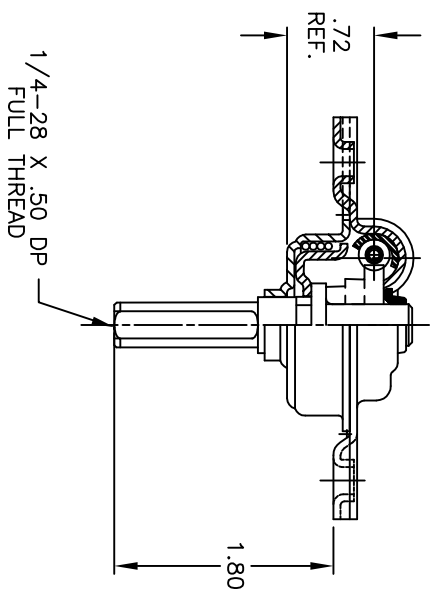
9

10



BLACK TUBING  
26 7/8" ±.1"

1/4-20  
(6 PLACES)



SAMPLE DRAWING  
DIMENSIONS FOR REFERENCE ONLY

PROPRIETARY  
THIS DRAWING AND THE INFORMATION CONTAINED HEREIN IS PROPRIETARY TO MUNCY CORPORATION AND SHALL NOT BE REPRODUCED, COPIED, OR DISCLOSED IN WHOLE OR IN PART FOR THE PURPOSE OF MANUFACTURING WITHOUT THE WRITTEN PERMISSION OF MUNCY CORP.

DO NOT SCALE DRAWING

TOLERANCES (UNLESS OTHERWISE SPECIFIED)		MUNCY CORPORATION	
DECIMAL	±.000	TITLE	CABLE REGULATOR (MANUAL)
FRACTIONAL	±.000	DRAWN BY	JMW
ANGULAR	±.1°	DATE	9-7-04
THREAD	±.000	APPROVAL	GRH
WHERE USED		MATERIAL	SEE NOTE
		DRAWING NO.	

REV	DATE	DESCRIPTION	BY	CHK