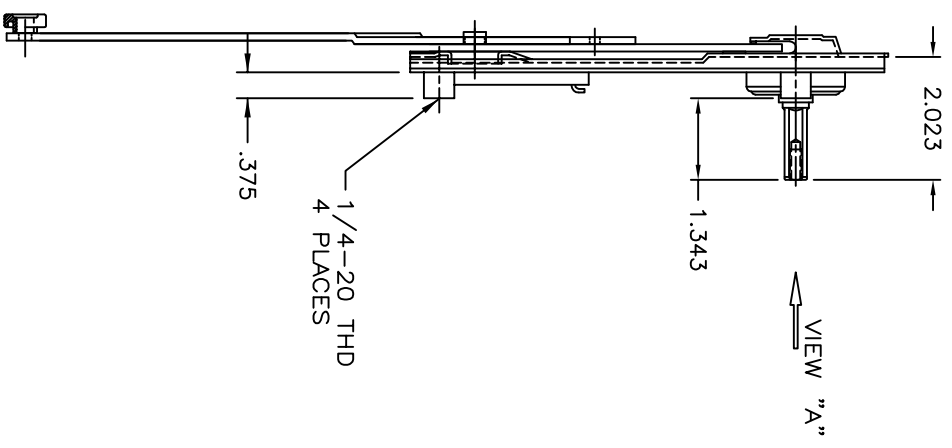
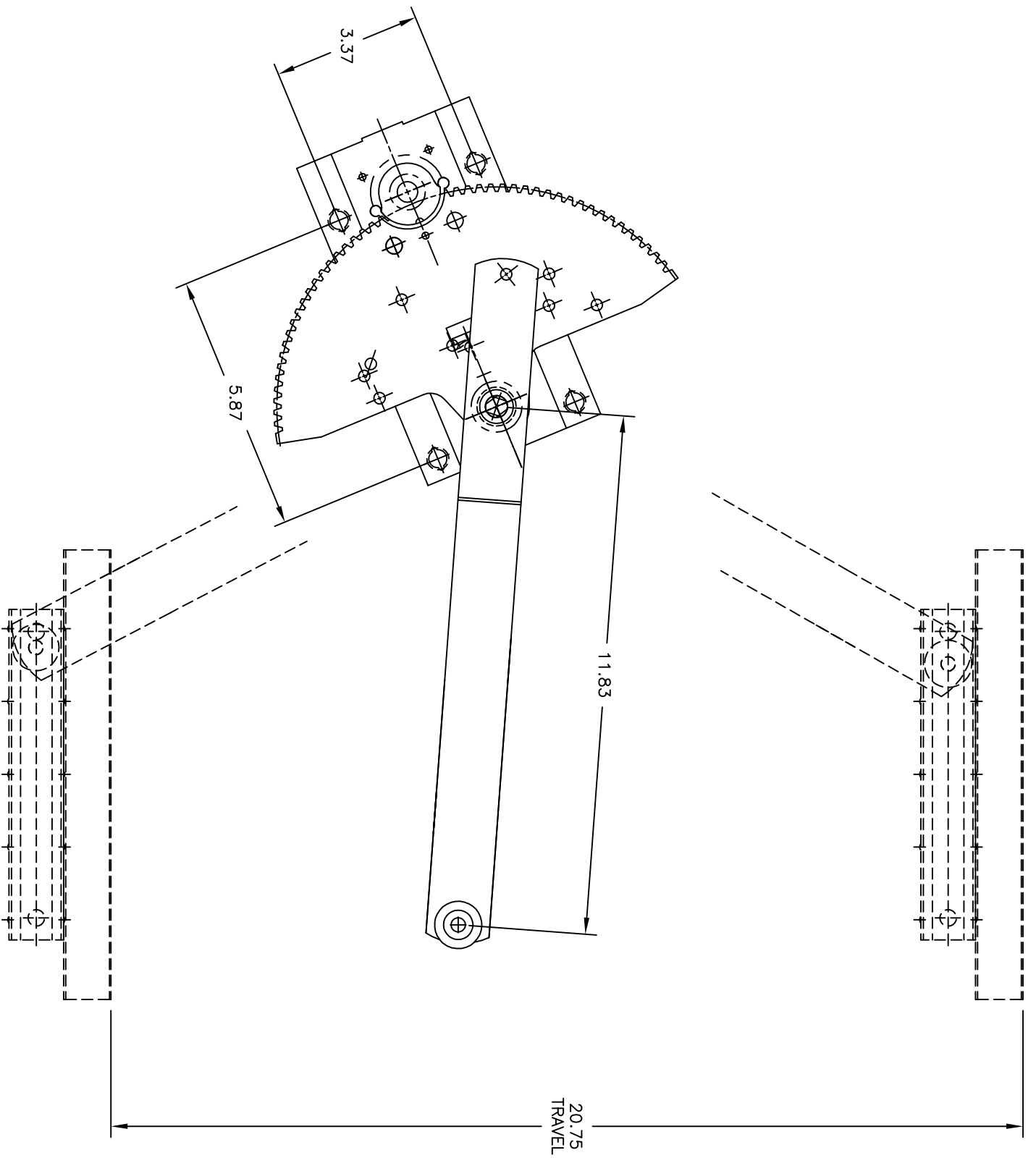


ON DRAWING



REV	DATE	DESCRIPTION	BY	CK

SAMPLE DRAWING
DIMENSIONS FOR REFERENCE ONLY

PROPRIETARY

THIS DRAWING AND THE INFORMATION CONTAINED HEREIN IS PROPRIETARY TO MUNCY CORPORATION AND SHALL NOT BE REPRODUCED OR IN ANY MANNER DISCLOSED OR USED FOR THE PURPOSE OF MANUFACTURING WITHOUT THE WRITTEN PERMISSION OF MUNCY CORP.

MUNCY CORPORATION

TOLERANCES (EXCEPT AS NOTED)

DECIMAL	± .XX - .06
FRACTIONAL	± .XXX - .02
ANGULAR	± 1/32
THREAD	± 1/2°

DO NOT SCALE DRAWING

TITLE	REGULATOR - SECTOR, MANUAL
DRAWN BY	JMW
DATE	9-7-04
APPROVAL	GRH
WHERE USED	
MATERIAL	N/A
DRAWING NO.	